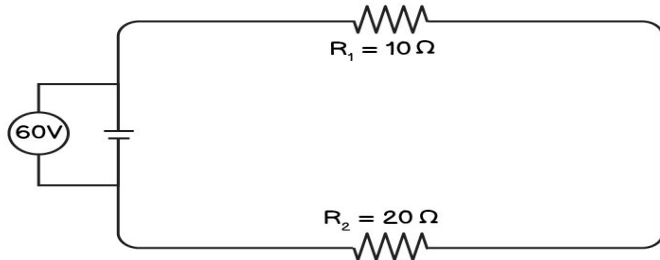
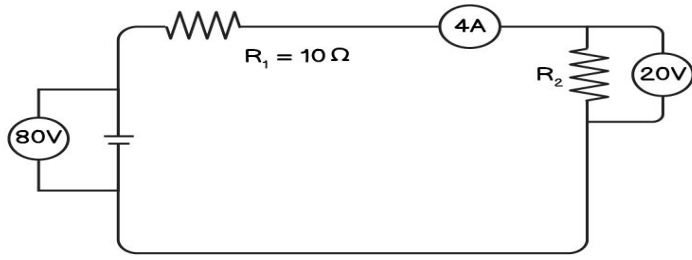
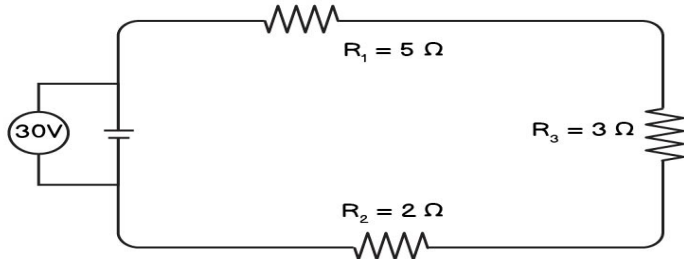


Series Circuit

Name: _____

Date: _____

Look at the circuits below and answer the questions!

	$R_T =$ _____ $I_T =$ _____ $I_1 =$ _____ $I_2 =$ _____ $V_1 =$ _____ $V_2 =$ _____
	$V_1 =$ _____ $I_2 =$ _____ $R_1 =$ _____
	$R_T =$ _____ $I_T =$ _____ $V_1 =$ _____ $V_2 =$ _____ $V_3 =$ _____