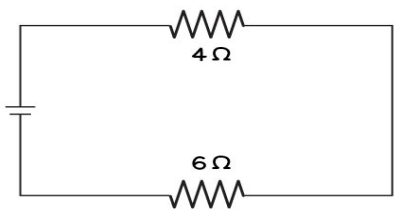
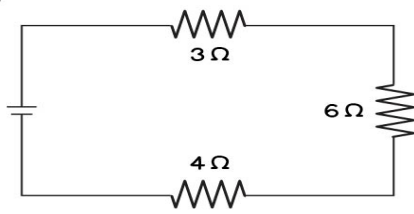
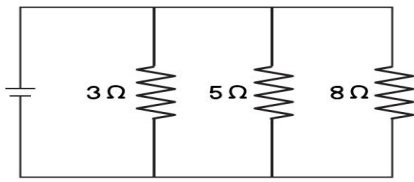
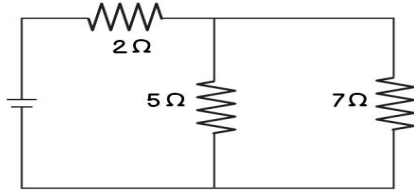


Series Circuit

Name: _____

Date: _____

Determine the equivalent resistance for each circuit below and write the answer in the blank box!

<p>1)</p>  <p>_____</p>	<p>2)</p>  <p>_____</p>
<p>3)</p>  <p>_____</p>	<p>4)</p>  <p>_____</p>